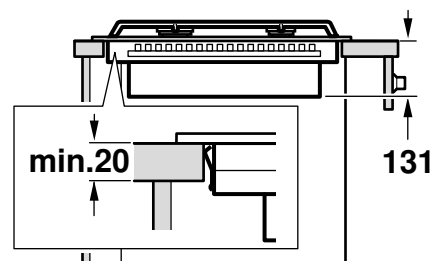
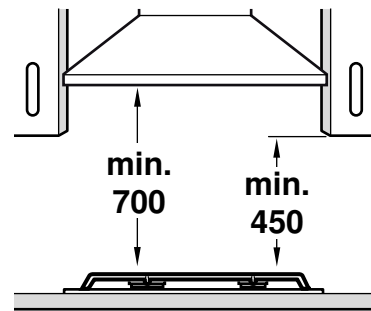
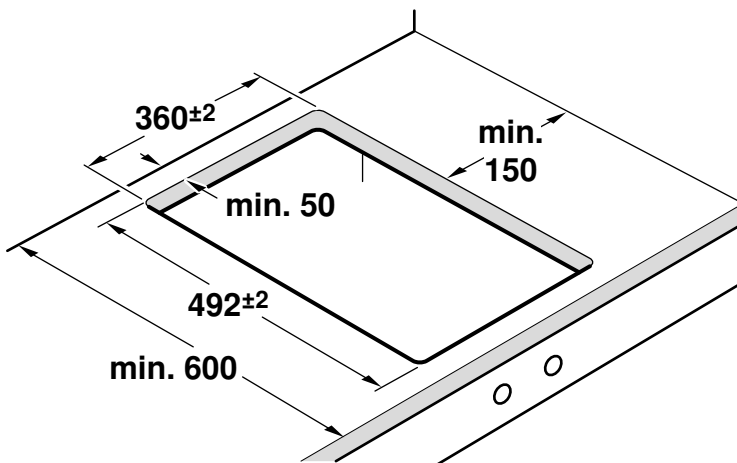
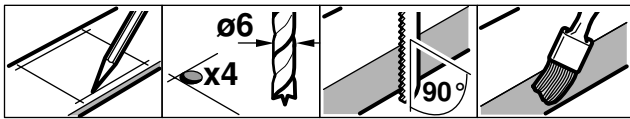
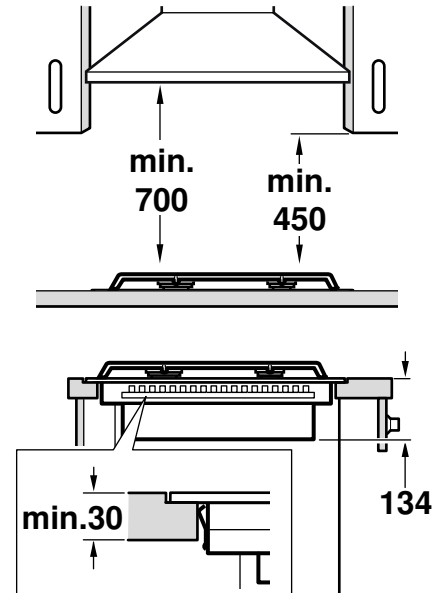
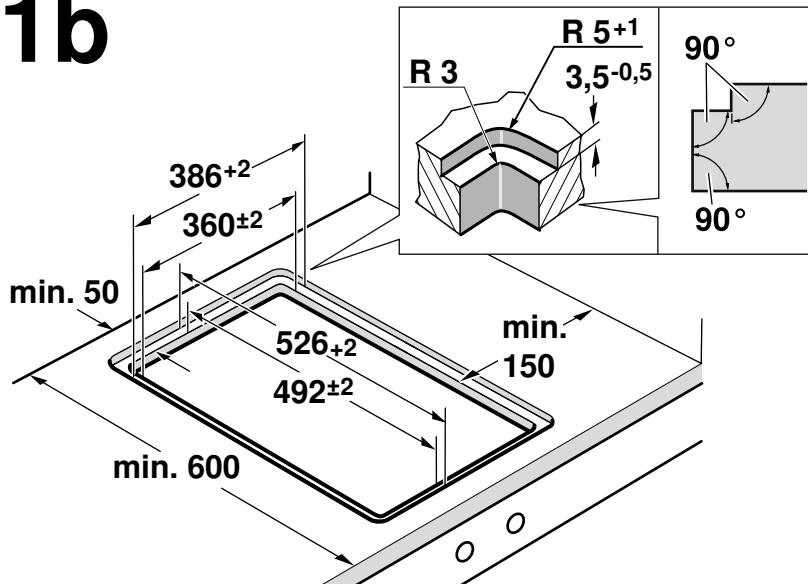


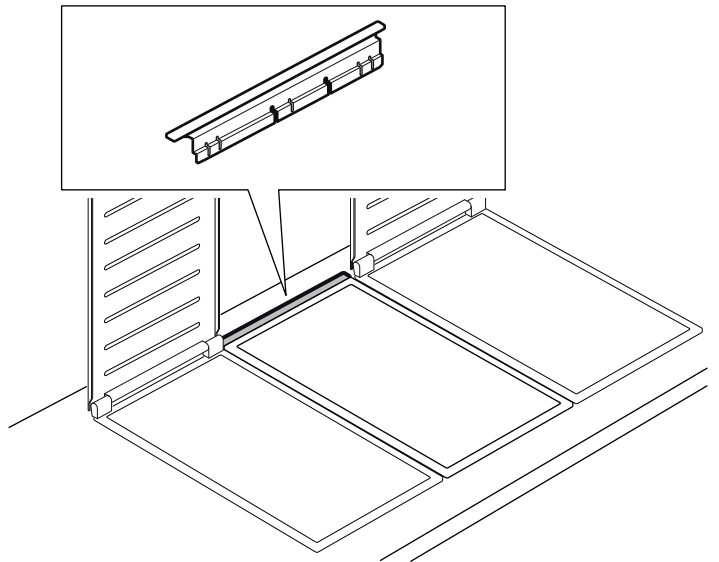
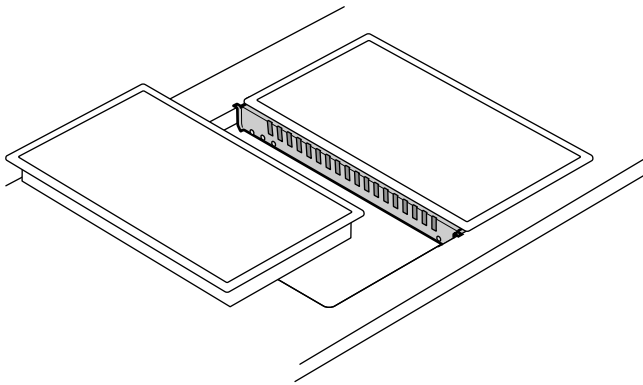
# 1a



# 1b



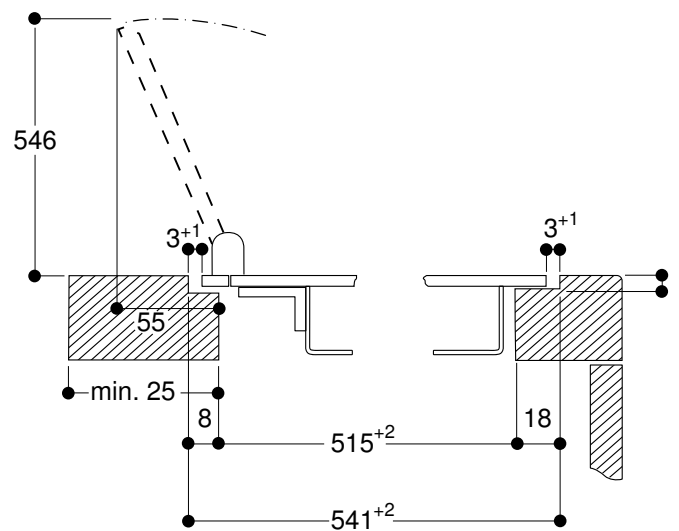
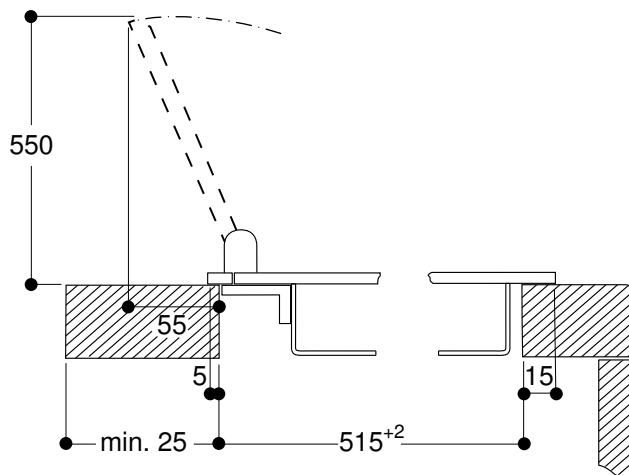
# 1c

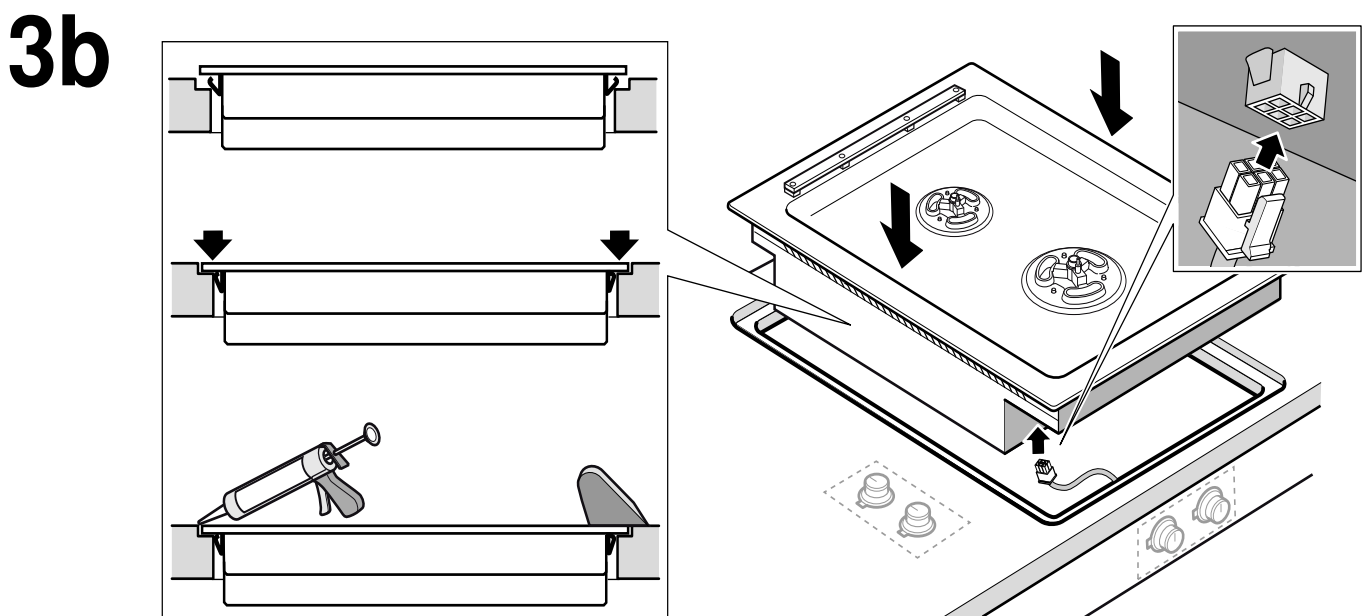
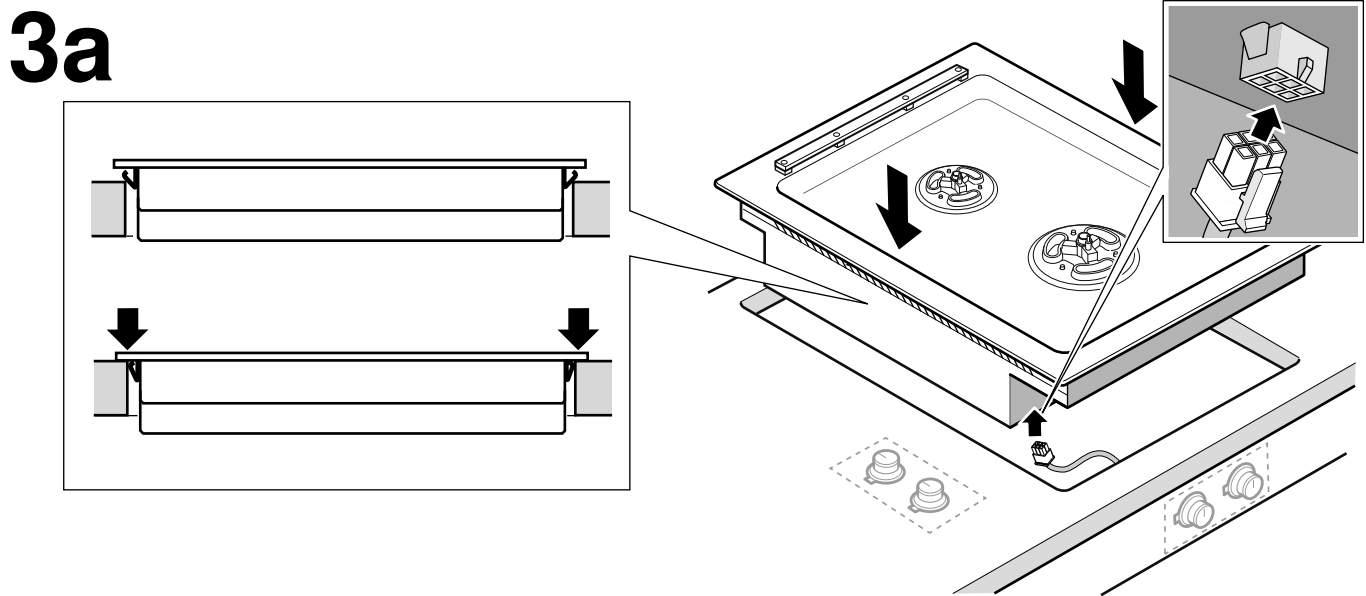
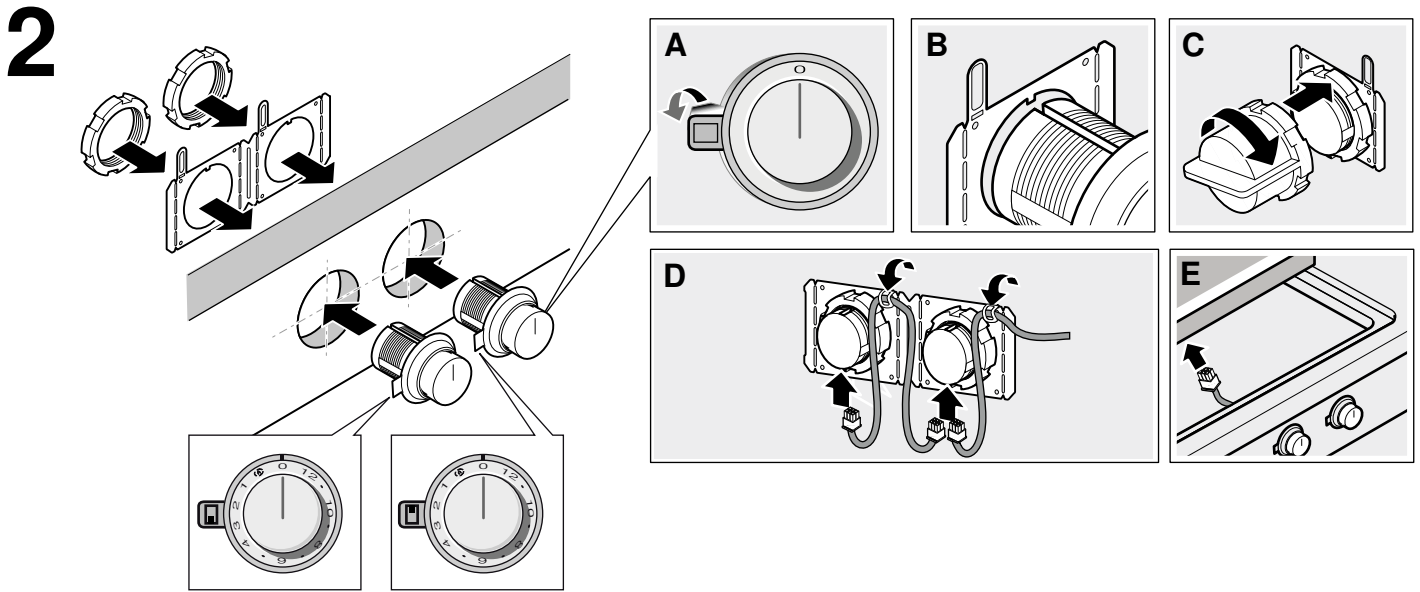


VA 420 000/001/010/011

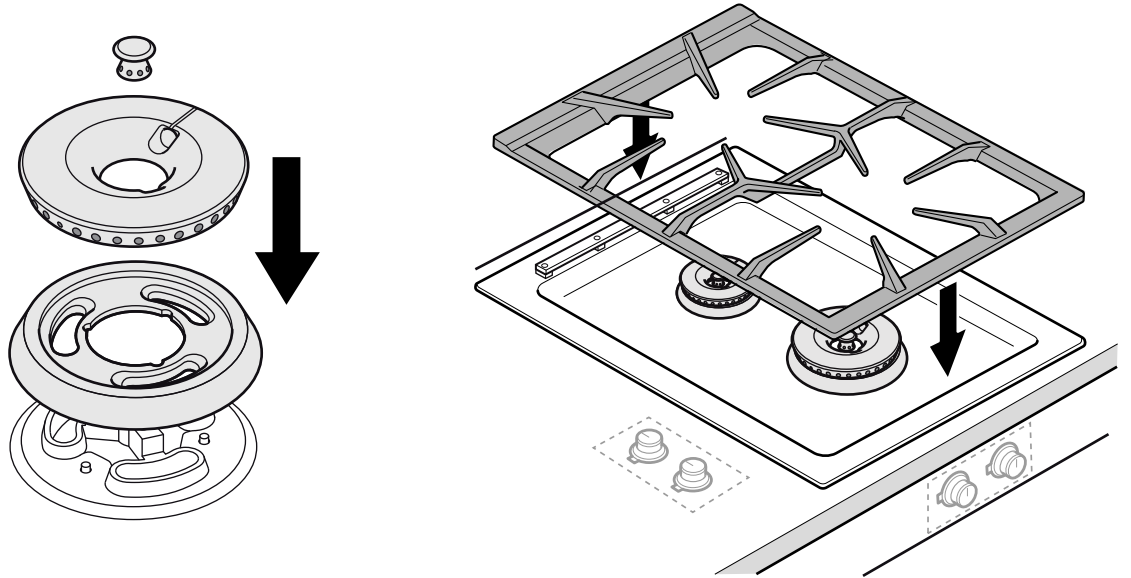
VA 450 110/-401/-600/-800/-900

# 1d

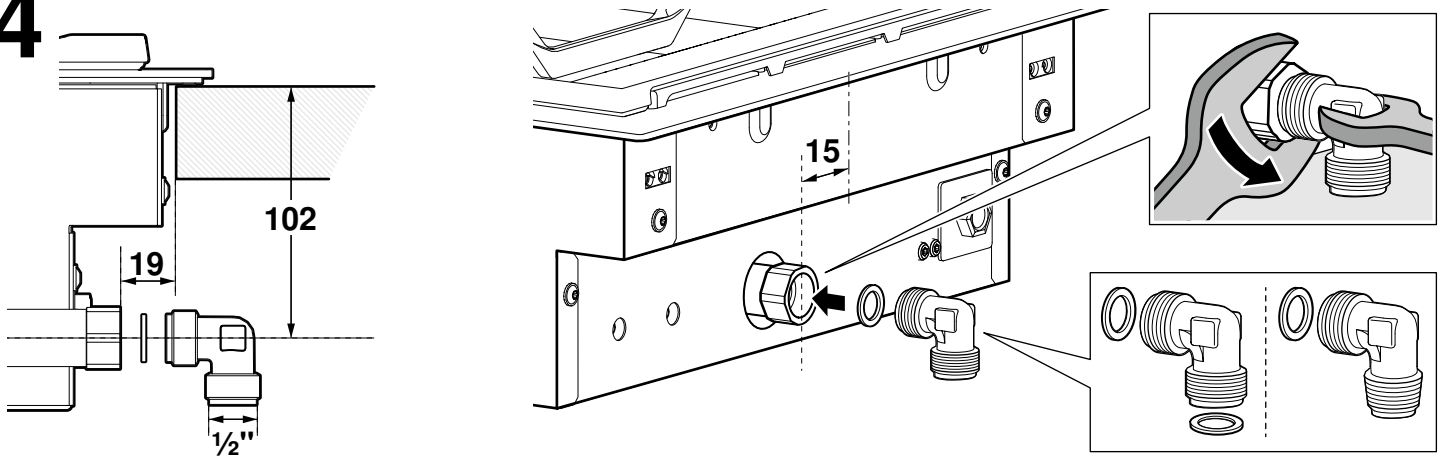




# 3c



# 4



## Important notes

Read these instructions carefully and keep them in a safe place. Safety during use can only be ensured if the appliance is fitted correctly according to these installation instructions. The installer is responsible for ensuring that the appliance operates perfectly at the point of installation.

### ⚠ Risk of injury!

Parts that are accessible during installation may have sharp edges. Wear protective gloves.

The appliance must be connected to the mains only by a licensed and trained technician.

Before carrying out any type of work, turn off the electricity and gas supply.

For installation, currently applicable building regulations and the regulations of local electricity and gas suppliers must be observed.

For conversion to another type of gas, please call the after-sales service.

### ⚠ Risk of gas escape!

After connecting the appliance to the gas supply, always check the connection for leak tightness. The manufacturer accepts no responsibility for the escape of gas from a gas connection which has been previously tampered with.

### Ensure sufficient air exchange in the room where the appliance is installed. Up to 11 kW total output:

- Minimum volume of the room where appliance is installed: 20 m<sup>3</sup>
- A door leading to the open air or a window which can be opened.

### Up to 18 kW total output:

- Minimum volume of the room where appliance is installed: 2 m<sup>3</sup> per kW total output.
- A door leading to the open air or a window which can be opened.
- An extraction hood into the open air. Minimum displacement volume of extraction hood: 15 m<sup>3</sup>/h per kW total output.

### Caution!

This appliance is not connected to a flue. It must be connected and put into operation in accordance with the installation conditions. Do not connect the appliance to a flue gas outlet. All ventilation regulations must be observed.

The installation system must incorporate an all-pin isolating switch with a contact opening of at least 3 mm, or the appliance should be connected to the mains via a safety plug. The plug must remain accessible after installation is complete.

Specifications on the rating plate showing voltage, type of gas and gas pressure must agree with the local mains connection conditions.

Do not kink or trap the mains connection cable.

This appliance corresponds to appliance class 3 (for installation in a kitchen unit). It must be fitted according to the installation drawing. The wall behind the appliance must be made of non-flammable material.

This appliance is not intended for operation with an external timer or an external remote control.

Do not install this appliance on boats or in vehicles.

## Installation accessories

AA 414 010	Ventilation molding for operation next to downdraft ventilation VL 414
VA 420 000	Connection strip for combination with other Vario 400 appliances for flush installation
VA 420 001	Connection strip for combination with other Vario 400 appliances for flush installation with appliance cover/extension
VA 420 010	Connection strip for combination with other Vario 400 appliances for surface installation
VA 420 011	Connection strip for combination with other Vario 400 appliances for surface installation with appliance cover/extension
VA 440 010	Stainless steel appliance cover
VA 450 401	Appliance extension, 38 cm

## Preparing the units (Fig. 1a)

The kitchen unit must be heat-resistant to at least 90°C (about 190°F). The stability of the unit must be maintained after producing the cut-out.

Produce the cut-out in the worktop for one or more Vario appliances as shown in the installation sketch. The angle between the cut surface and the worktop must be 90°.

The cut edges at the sides must be flat to ensure a good fit of the retaining springs on the appliance. In laminated worktops, it may be necessary to fit strips at the sides of the cut-out.

Remove shavings after cutting. Seal cut surfaces for resistance to heat and so they are watertight.

Pay attention to a minimum gap of 10 mm from the underside of the appliance to kitchen units.

Use suitable base constructions to ensure load-carrying capacity and stability, especially in the case of thin worktops. Pay attention to the weight of the appliance, including any payload.

Reinforcement material used must be resistant to heat and moisture.

To avoid leaking gas to accumulate and cause an explosion, ensure that the cabinet on which the built-in cooking appliance is mounted has an air outlet to the surrounding room with a minimum cross-section of 100 cm<sup>2</sup>.

**Note:** Wait until the appliance has been installed in the installation opening before checking that it is level.

### Installation flush with surrounding surfaces (Fig. 1b)

It is possible to fit the appliance into a worktop such that it is flush with the worktop surface.

The appliance can be installed in the following temperature- and water-resistant worktops:

- Granite worktops
- Plastic worktops (e.g. Corian®)
- Solid wood worktops: Only on agreement with the worktop manufacturer (seal the cut-out edges)
- For other worktop materials, contact the worktop manufacturer about their use.

The appliance cannot be installed in compressed-wood worktops.

**Note:** All cut-outs in the worktop are to be carried out in a specialist workshop in accordance with the installation diagram. Each cut-out must be neat and precise as the cut edge is visible on the surface. Clean and degrease the cut-out edges with a suitable cleaning agent (follow the instructions from the silicone manufacturer).

### Combining multiple Vario appliances (Fig. 1c)

The connecting strip VA 420 000/001/010/011 is required in order to combine multiple Vario appliances. This can be ordered separately as an optional accessory. When making the cut-out, allow extra space for the connecting strip between the appliances (see installation instructions VA 420 000/001/010/011).

Appliances can also be fitted in their own individual cut-outs as long as at least 50 mm of material is left between the cut-outs.

To enable combination of appliances with and without an appliance cover, dimension differences can be balanced out by the extension VA 450 110/-401/-600/-800/-900 (depending on appliance width).

### Combination with appliance cover (Fig. 1d)

The appliance cover VA 440 010 is available separately as an optional accessory. Take the additional space required by the appliance cover into consideration when making the cut-out.

### Hole for the control knob

Possible installation types:

- At the front of the floor cabinet
- In the worktop next to the appliance
- In the worktop in front of the appliance

**Note:** Follow the installation instructions provided for the control knobs.

## Fitting the control knobs (Fig. 2)

**Note:** Follow the installation instructions provided for the control knobs.

1. Depending on the distance between the control knobs, it may be necessary to break off the retaining plate at the perforation. Hold the retaining plate in place against the rear of the control panel/underside of the worktop or secure it in place with the screws provided.
2. When fitting an individual control knob or if the retaining plate has been broken off at the perforation, use two screws to hold each retaining plate in place and prevent it from rotating.  
For stone worktops, use temperature-resistant two-component adhesive (for metal to stone) to adhere the retaining plate.
3. Remove the protective film on the back of the illuminated ring.
4. Push the control knob into the hole, and use the installation tool provided to tighten the nut at the rear.
5. Use the short cables provided to connect all the control knobs. The male connectors must snap into place in the female connectors.  
**Note:** The two female cable connectors on the control knob are identical.
6. Attach the long cable to one of the control knobs to connect it to the appliance. The male connector must snap into place in the female connector.  
**Note:** The appliance can be connected to any control knob.
7. After fitting, check that all plug-in connections are seated correctly.
8. After fitting all the cables, secure them to the retaining plate by turning the tab down.

## Installing the appliance (Fig. 3a)

1. Insert the end of the connection cable for the control knob into the female connector on the underside of the appliance. The male connector must snap into place.
2. Insert the appliance evenly into the cut-out. Push it down firmly into the cut-out.  
**Note:** The appliance must sit fast in the cut-out and must not be able to move around (e.g. during cleaning). If the width of the cut-out is at the upper tolerance limit, secure batten to the sides of the cut-out if necessary.
3. Connect the appliance to the power and gas supply and test for correct functioning. There might be an air pocket in the gas supply line if the appliance switches off. Turn control knobs off and switch on again. Repeat until burner ignites.

## Only for installation flush with surrounding surfaces (Fig. 3b)

**Note:** Make sure that everything is working correctly before grouting.

Grout the surrounding gap with a suitable temperature-resistant silicone adhesive (e.g. OTTOSEAL® S 70). Smooth the seal joint with a smoother recommended by the manufacturer. Follow the instructions for the silicone adhesive. Do not use the appliance until the silicone adhesive is completely dry (at least 24 hours, depending on the room temperature).

### Caution!

Using unsuitable silicone adhesive on natural stone work surfaces may cause permanent discolouration.

## Gas connection (Fig. 4)

The gas connection must be arranged in such a way that the shut-off valve is accessible.

The appliance comes with two connection elbows (appliance-side G $\frac{1}{2}$ "). Select the suitable version depending on the country:

- G 1/2 cylindrical GB/T 7307
- R 1/2 conical GB/T 7306

Use one of the supplied connection elbows and the corresponding seal to connect the appliance to a fixed connecting cable or a gas safety hose.

A metal connection hose should be used if the hob is connected to natural gas.

If the gas safety hose is not made of metal or is only partially made of metal, the ambient temperature must not exceed 90 °C. If the gas safety hose is made of metal, the permissible ambient temperature is 115 °C.

Route the gas safety hose in such a way that it does not come into contact with the moving parts of the fitted units (e.g. drawer).

## Electrical connection

Check that the appliance has the same voltage and frequency as the electrical installation system.

The hob is delivered with a mains cable, with or without plug, depending on model.

Only connect the appliance to sockets which have been fitted and earthed according to regulations.

The appliance corresponds to type Y: the mains connection cable must only be replaced by the after-sales service. Check the cable type and minimum cross section.

## Technical data

Total connected load (natural gas):

5.4 kW (Up 1.8 kW, Down 3.6 kW)

Total connected load (electric): 25.0 W

Voltage: 220 V

Frequency: 50 Hz

Gas type : 12T

Pressure : 2000 Pa

Dimension (WxDxH) : 380 x 520 x 158 mm

Place of origin : France

Distributor: BSH Home Appliances (China) Co., Ltd.

## Removing the appliance

Disconnect the appliance from the power and the gas supply. For flush-mounted appliances, remove the silicone joint. Push out the appliance from below.

### Caution!

Damage to appliance! Do not lever out the appliance from above.

## 重要说明

请认真阅读本安装说明并保存在安全的地方。只有按照安装说明正确安装电器，才能保证使用安全。安装工负责确保电器在安装位置上正常工作。

### △ 有受伤危险！

在安装过程中碰得到的部件可能具有锋利的边缘。请戴上防护手套。

只有经过培训并持有上岗证书的专业人员才能将电器连接到电源。

在进行任何类型的作业前，切断电源和气源。

安装时，必须遵循现行建筑条例和当地电力和燃气公司规定。

如要改接其他燃气类型，请致电售后服务部门。

### △ 有燃气泄漏危险！

在将电器连接至气源之后，一定要检查接头是否拧紧无泄漏。制造商对于因擅自改动接头而导致的燃气泄漏不承担责任。

**确保安装电器的房间内有充足的换气。总功率最高达 11 kW:**

- 安装电器房间的最小容积：20 m<sup>3</sup>
- 有通向室外的门或可以打开的窗户。

**总功率最高达 18 kW:**

- 安装电器房间的最小容积：总输出功率每千瓦 2 m<sup>3</sup>。
- 有通向室外的门或可以打开的窗户。
- 有通向室外的抽油烟机。抽油烟机的最小排风量：总输出功率每千瓦 15 m<sup>3</sup>/h。

### 注意！

此电器未连接到烟道。必须按照安装条件对其进行连接和投入运行。请勿将电器连接到烟气出口。必须遵守通风设备规范。

安装系统必须采用触点间隙最小为 3 mm 的全针隔离开关，或者将电器通过安全插头连接至电源。安装完成之后，插座必须仍然便于使用。

铭牌上的电压、燃气类型和燃气压力规格必须与当地电源、气源连接条件相符。

请勿缠绕或扭曲电源线。

本电器属于三类电器（适合安装在橱柜中）。必须按照安装图纸进行安装。电器后面的壁面必须由非易燃材料制成。

本电器不适合用外部定时器或外部遥控器操作。

不要将本电器安装在船上或车辆中。

## 安装附件

AA 414 010	适用于在下排式吸油烟机 VL 414 旁边使用的通风嵌条
VA 420 000	连接条，用于与其他 Vario 400 电器组合进行齐平安装
VA 420 001	连接条，用于与其他 Vario 400 电器组合，实现带电器盖或延长件的齐平安装
VA 420 010	连接条，用于与其他 Vario 400 电器组合，实现表面安装
VA 420 011	连接条，用于与其他 Vario 400 电器组合，实现带电器盖或延长件的表面安装
VA 440 010	不锈钢电器盖
VA 450 401	电器延长线，38 cm

## 准备橱柜 (图 1a)

橱柜的耐热能力必须至少达 90°C (大约 190°F)。在开孔切割完毕后，橱柜必须依然保持稳定。

如安装示意图所示，在台面上切割出一个或多个 Vario 电器的安装孔。切割表面和台面之间的角度必须等于 90°。

各开孔边缘必须切割整齐，确保电器上的止动弹簧妥当固定。在层压板台面中，有必要在开孔侧面安装填充条。

切割完成后，清除切屑。密封切割表面，做到耐热、防水。

注意电器的下侧与橱柜间距最小为 10 mm。

使用适当的支承面结构，确保承载力和稳定性，在台面较薄的情况下尤其如此。注意电器及负载的重量。所用的加固材料必须耐热、耐潮。

请确保灶具下方橱柜与大气之间满足通风要求，橱柜通风口面积不小于 100 cm<sup>2</sup>，否则可能在恶劣情况下造成泄漏燃气沉积而引起爆炸。

**提示：**将电器安装在安装孔中之后，检查电器是否水平。

### 与周围表面齐平式安装 (图 1b)

可以将电器安装台面内，使其与台面齐平。

可将电器安装在如下耐热、防水的台面内：

- 花岗岩台面
- 塑料台面（例如 Corian®）
- 硬木台面：应遵循台面制造商的要求（密封开孔边缘）
- 关于其它材质的操作，请联系台面制造商。

请勿在压缩木台面上安装电器。

**提示：**台面上所有的开孔都必须在专门的工作间内依据安装图进行。每个开孔必须完整、精准，因为开孔边缘在表面上是可见的。用适当的清洁剂对开孔边缘进行清洁，去除油污（遵循硅胶制造商说明）。

### 组合多个 Vario 电器 (图 1c)

需要使用 VA 420 000/001/010/011 连接条来组合多个 Vario 电器。此附件作为可选附件，单独订购。开孔时，请记得留出额外的空间用于安装电器之间的连接条（参见安装说明 VA 420 000/001/010/011）。

如果材料上开孔之间的距离至少有 50 mm，也可在单独开孔中安装电器。

为了能够组合带和不带电器盖的电器，可以通过延长线 VA 450 110/-401/-600/-800/-900 平衡尺寸差（根据电器宽度）。

### 组合电器盖 (图 1d)

电器盖 VA 440 010 作为可选附件，单独提供。当加工开孔时要考虑到电器盖所需的额外空间。

### 控制旋钮孔

可能的安装类型：

- 落地柜前
- 相邻电器的工作台内
- 电器前的工作台内

**提示：**遵循提供的控制旋钮安装说明。

## 安装控制旋钮 (图 2)

**提示：**遵循提供的控制旋钮安装说明。

1. 您可以根据控制旋钮之间的距离，决定是否在穿孔时断开固定板。将固定板安装在控制面板后方/操作台下方，或使用提供的螺钉将其固定。
2. 安装单独的控制旋钮时，或如果固定板在孔处断开，请使用两颗螺丝来保持每个固定板并防止其转动。  
对于石质的操作面，使用耐热双组份粘合剂（用于将金属粘合到石质操作面）粘固定板。
3. 从照明盘后面剥去保护膜。
4. 将控制旋钮推入孔中，使用提供的安装工具拧紧后部的螺母。
5. 使用提供的短电缆连接所有控制旋钮。插头连接器必须卡入插孔连接器中。

**提示：**控制旋钮的两个插孔电缆连接器相同。

6. 将长电缆连接到其中一个控制旋钮上，以将其连接到电器。插头连接器必须卡入插孔连接器中。

**提示：**电器可以连接到任何控制旋钮。

7. 安装后请检查所有线路插座是否妥善安装。
8. 安装所有的电源线路后，藉由转动卡口固定其固定板。

## 安装电器 (图 3a)

1. 将控制旋钮的连接电缆末端插入到电器下方的插孔连接器上。插头连接器必须卡入到位。
2. 将电器稳稳地插入开孔中。用力推入开孔。  
**提示：**电器必须固定在开孔中不可移动(例如,在清洁过程中)。如果开孔的宽度已达公差的上限,可在开孔的侧面安装板条(如有必要)。
3. 将电器接至电源和气源,检测工作是否正常。如果电器关断,那么供气管路中可能有气穴。关断控制旋钮并再次开启。重复上述操作,直至燃烧器点燃。

## 仅用于与周围表面齐平式安装 (图 3b)

**提示：**在灌浆之前要确保一切正常。

在周围的间隙中填充适当的耐热硅橡胶粘合剂(例如 OTTOSEAL® S 70)。使用制造商所建议的平整产品平整密封接头处。遵守硅胶相关说明。在硅胶完全干燥之前(取决于室温,至少 24 小时),不要使用电器。

**注意！**

在天然石工作台上使用不合适的硅胶可能导致永久褪色。

## 燃气连接 (图 4)

必须以此种方式排列燃气连接才能方便地操作切断阀。

电器随附 2 个连接弯头(电器侧方 G $\frac{1}{2}$  处)。根据不同的国家选择合适的型号:

- G 1/2 GB/T 7307 圆柱螺纹
- R 1/2 GB/T 7306 锥管螺纹

使用其中一种提供的连接弯头和相应的密封件将电器连接到固定连接线缆或燃气安全软管。

使用天然气的燃气灶具,应使用金属波纹管进行连接。

如果燃气安全软管不是(或仅部分)由金属制成,则环境温度不得超过 90 °C。如果燃气安全软管完全由金属制成,则允许的环境温度为 115 °C。

以这种方式布置燃气安全软管,以使其不会与安装的橱柜的活动部件相接触(例如抽屉)。

## 电气连接

检查并确认电器的电压和频率与电气安装系统一致。

根据型号,电器在交货时带有电源线,带或不带插头。

只能将电器连接至按照规定安装和接地的插座上。

本电器属于 Y 型:电源线只能由售后服务部门进行更换。请查看电源线类型和最小横截面积。

## 技术参数

(天然气)连接的总负载: 5.4 kW (Up 1.8 kW, Down 3.6 kW)

(电)连接的总负载: 25.0 W

电压: 220 V

频率: 50 Hz

使用燃气: 天然气 -12T

燃气额定压力: 2000 Pa

外形尺寸 (WxDxH) mm: 380 x 520 x 158

制造厂: Gaggenau Industrie S.A.S.

原产地: 法国

总经销商: 博西家用电器(中国)有限公司

地址: 南京市中山路 129 号中南国际大厦 20、21 楼

## 拆除电器

断开电器电源和气源。为了齐平安装电器,去除硅胶接头。从下方推出电器。

**注意！**

损坏电器! 不要从上面用撬杆撬出电器。